



origin

DOORS AND WINDOWS

TECHNICAL DRAWINGS

OB-36⁺

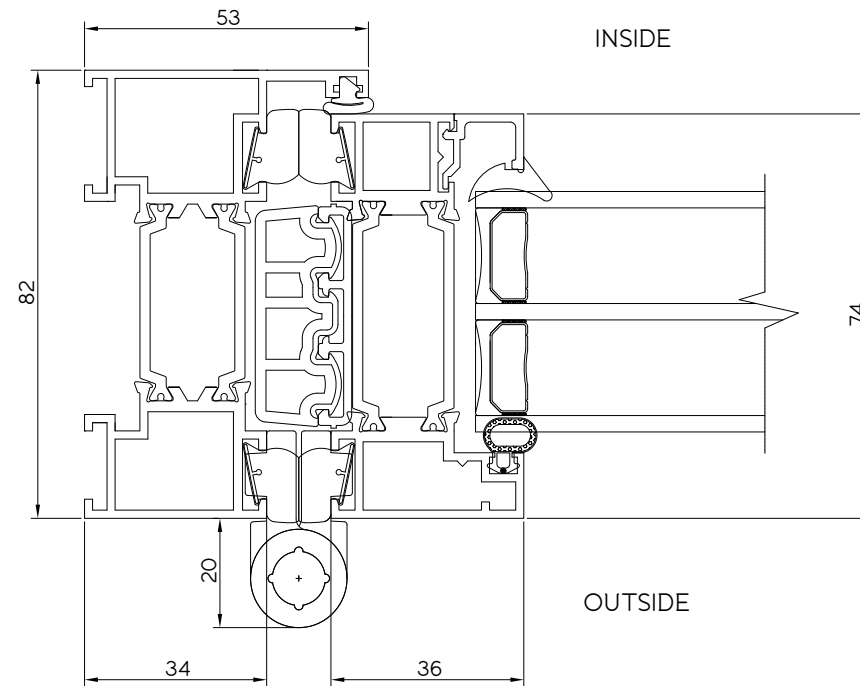
2.315.4

HINGE JAMB

OB-36+

OPEN OUT:

DRAWING #: OB36-1A.1

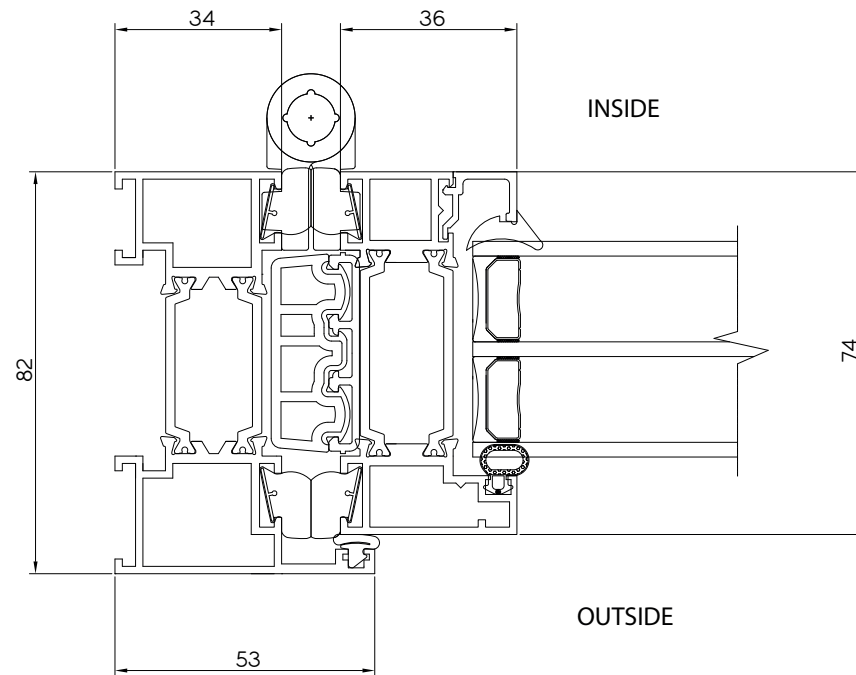


HINGE JAMB

OB-36+

OPEN IN:

DRAWING #: OB36-1B.1

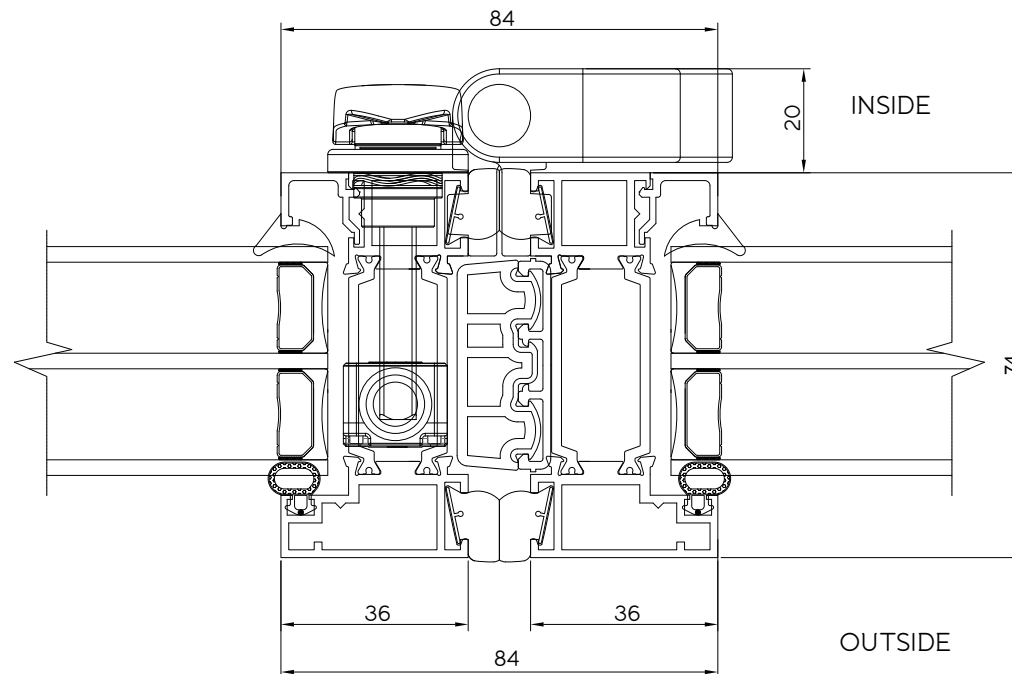


OPENING STILES

OB-36+

OUTWARD:

DRAWING #: OB36-3.1

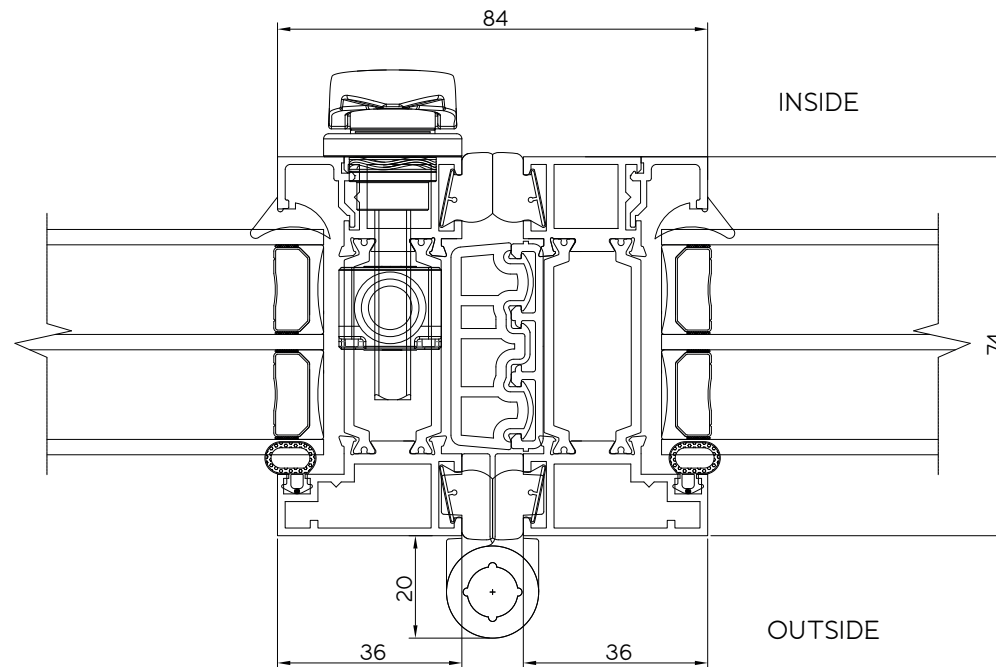


OPENING STILES

OB-36+

INWARD:

DRAWING #: OB36-4.1

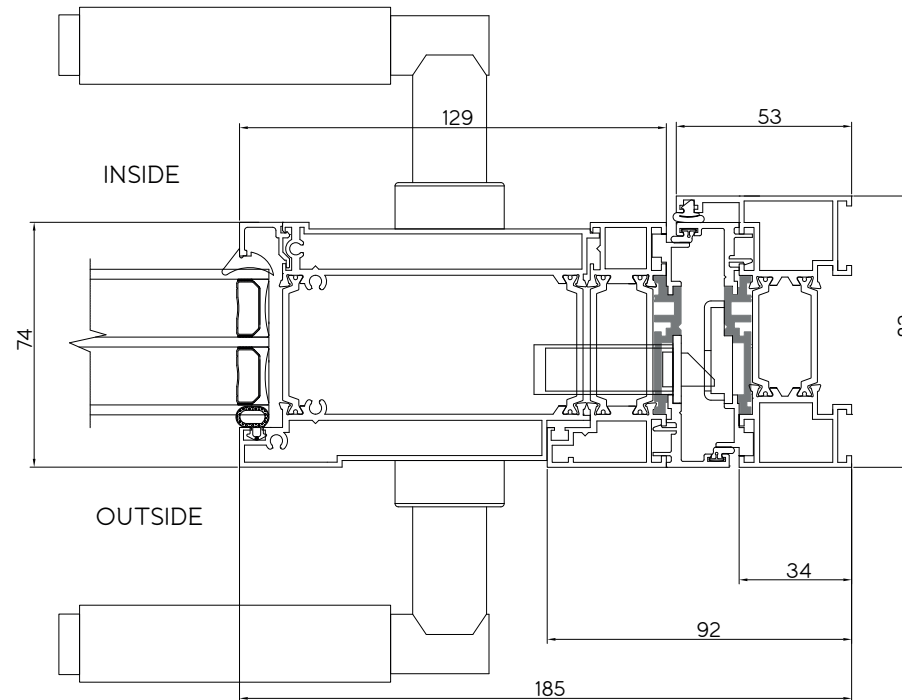


LOCK BLOCK JAMB

OB-36+

OPEN OUT:

DRAWING #: OB36-6A.1

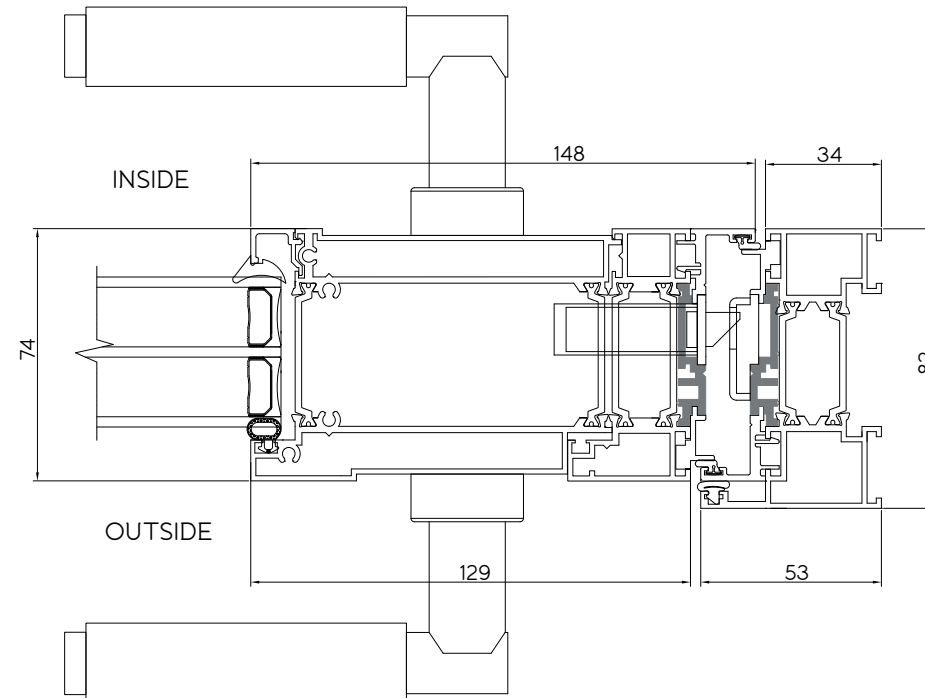


LOCK BLOCK JAMB

OB-36+

OPEN IN:

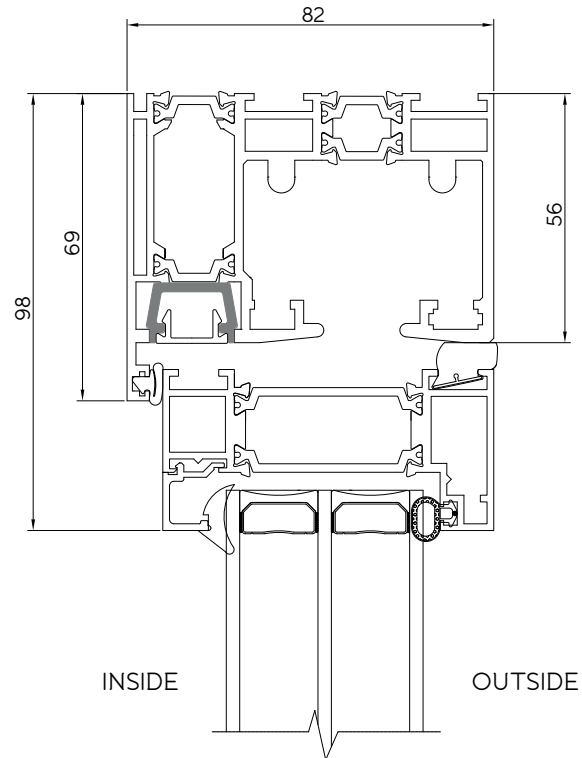
DRAWING #: OB36-6B.1



TOP TRACK OB-36+

OPEN OUT:

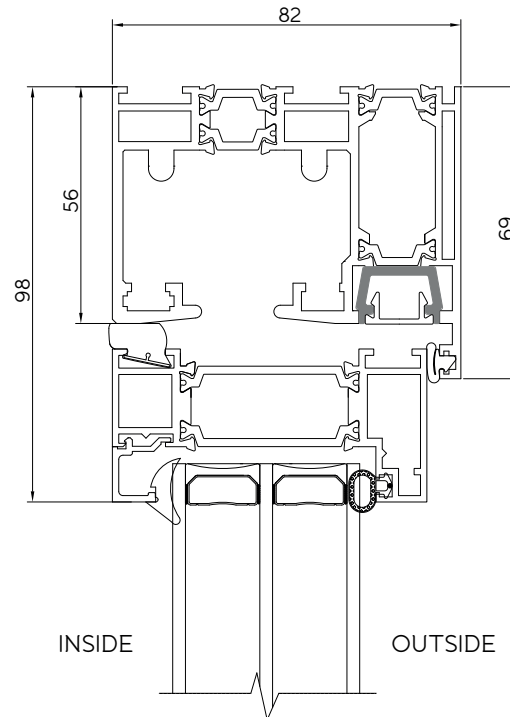
DRAWING #: OB36-7A.1



TOP TRACK OB-36+

OPEN IN:

DRAWING #: OB36-7B.1

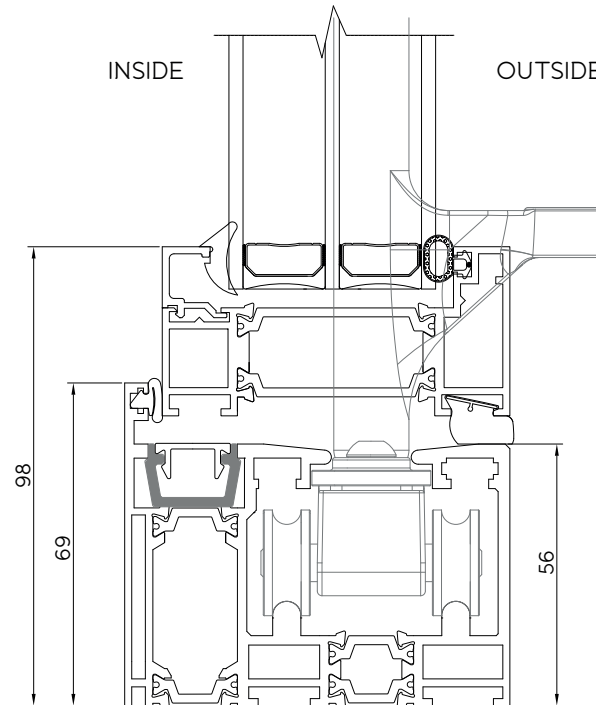


BOTTOM TRACK

OB-36+

OPEN OUT:

DRAWING #: OB36-8A.1

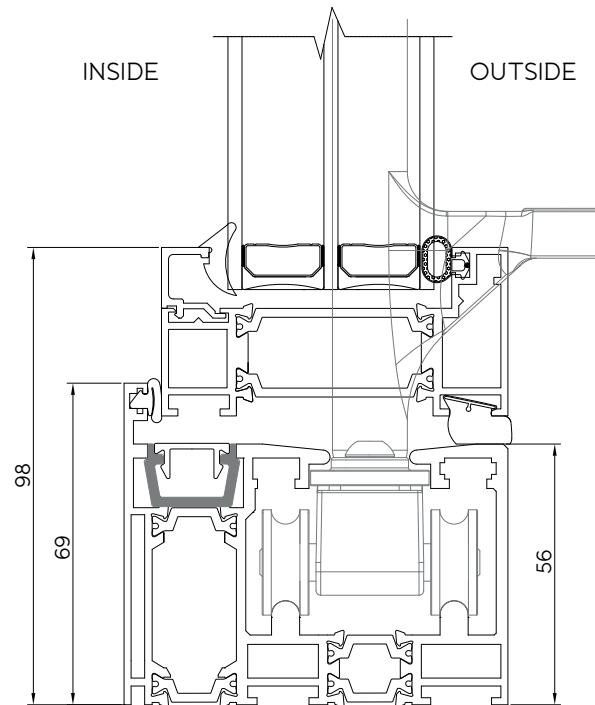


BOTTOM TRACK

OB-36+

OPEN IN:

DRAWING #: OB36-8B.1

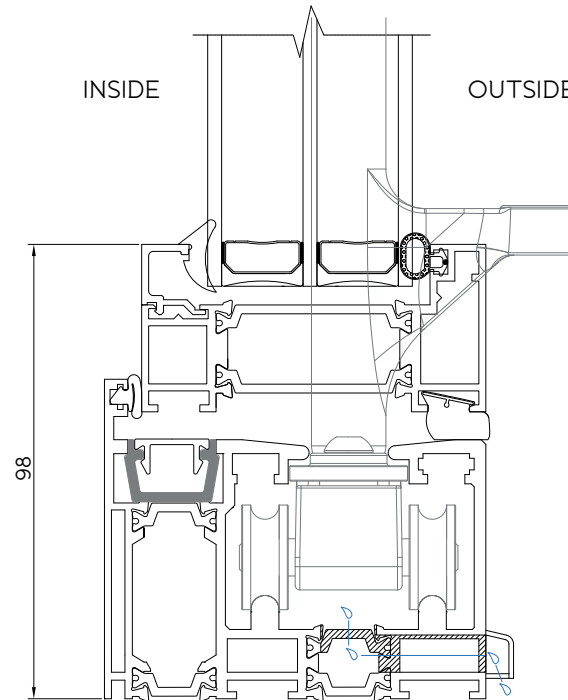


BOTTOM TRACK FACE DRAINAGE

OB-36+

OPEN OUT:

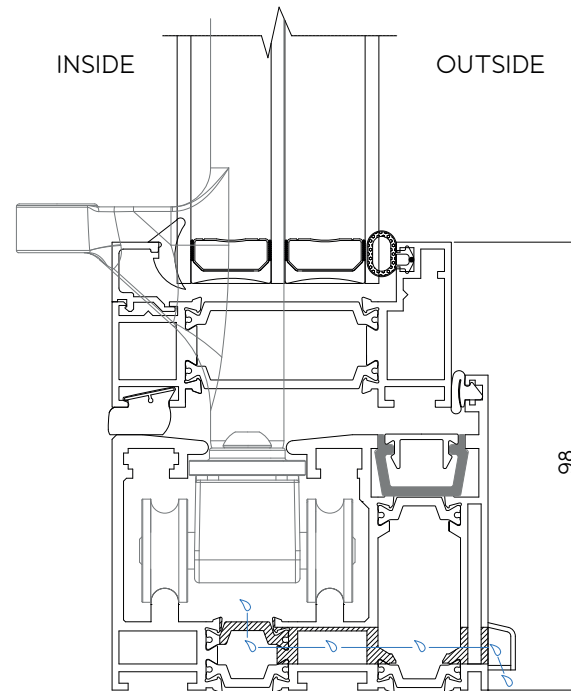
DRAWING #: OB36-8C.1



BOTTOM TRACK FACE DRAINAGE OB-36⁺

OPEN IN:

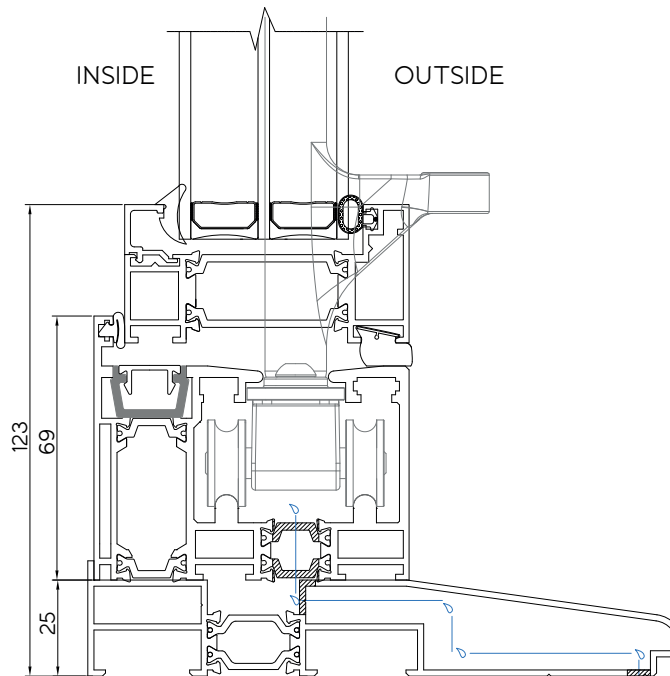
DRAWING #: OB36-8D.1



BOTTOM TRACK CONCEALED DRAINAGE OB-36+

OPEN OUT:

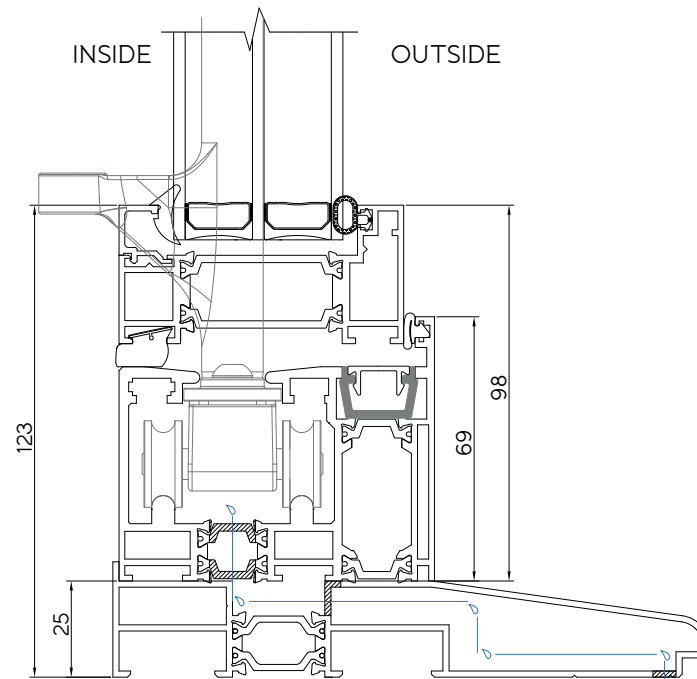
DRAWING #: OB36-8E.1



BOTTOM TRACK CONCEALED DRAINAGE OB-36+

OPEN IN:

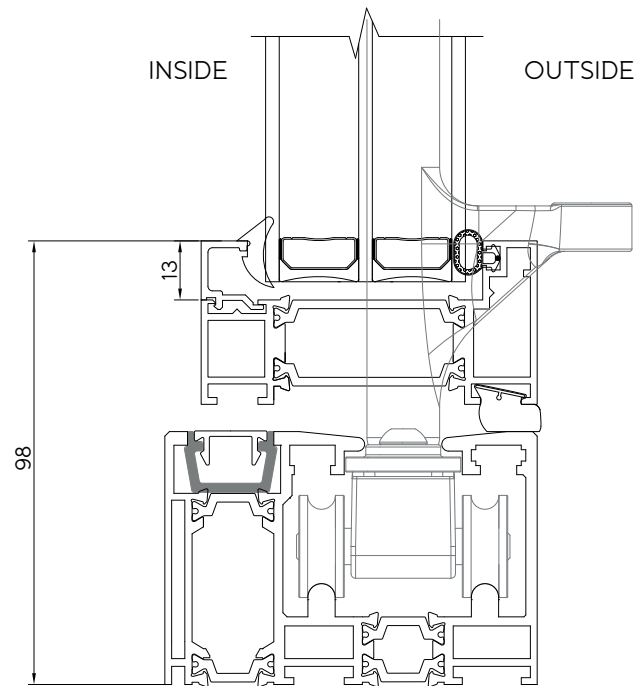
DRAWING #: OB36-8F.1



NON WEATHERED THRESHOLD OB-36+

OPEN OUT:

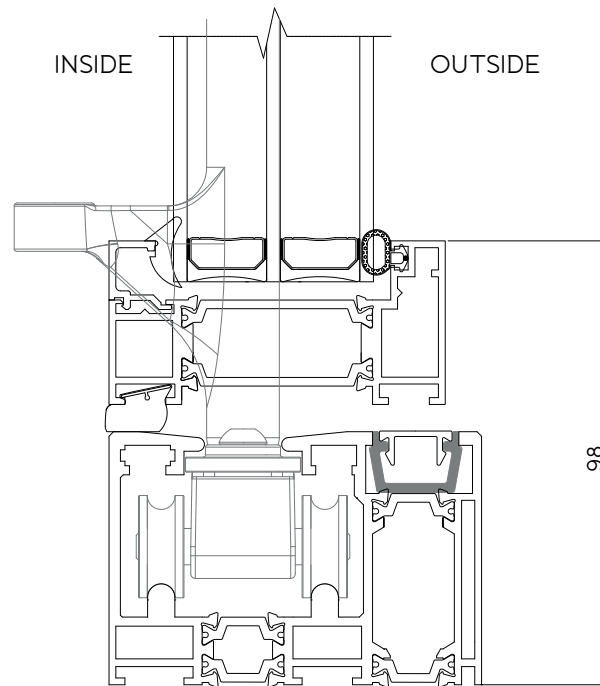
DRAWING #: OB36-9A.1



NON WEATHERED THRESHOLD OB-36+

OPEN IN:

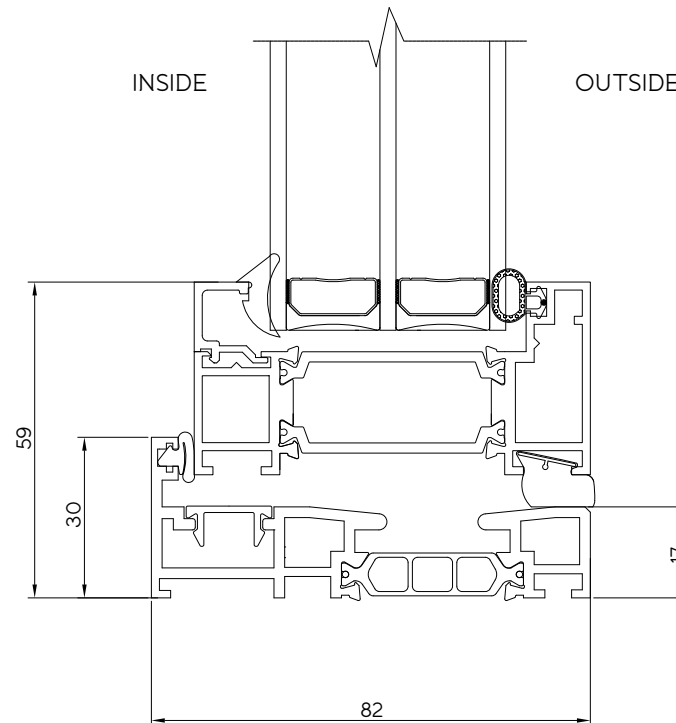
DRAWING #: OB36-9B.1



LOW TRACK OB-36+

OPEN OUT:

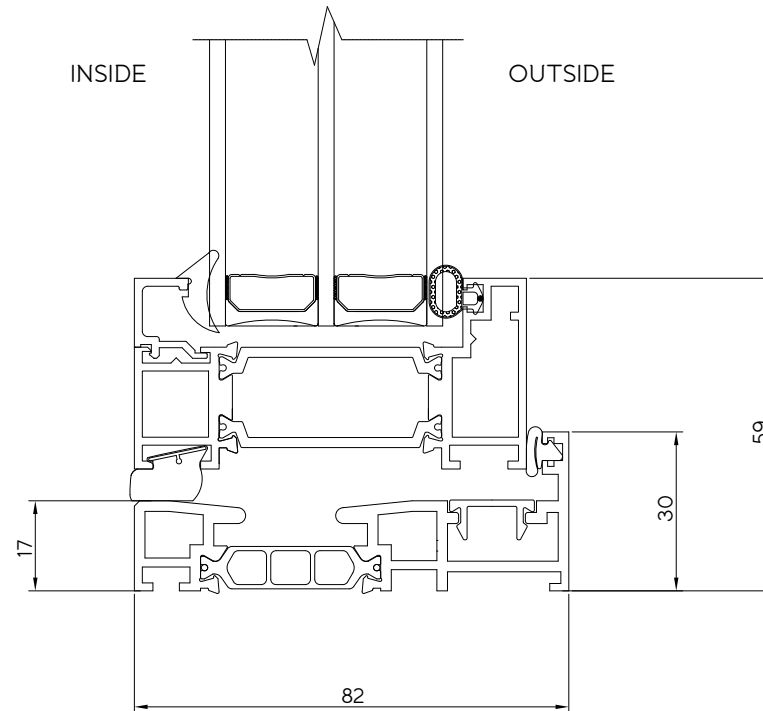
DRAWING #: OB36-10A.1



LOW TRACK OB-36+

OPEN IN:

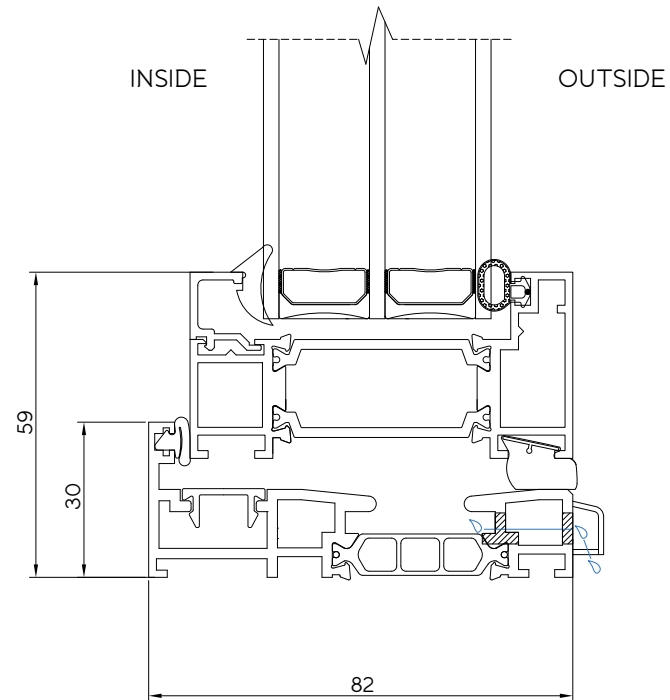
DRAWING #: OB36-10B.1



LOW TRACK FACE DRAINAGE OB-36+

OPEN OUT:

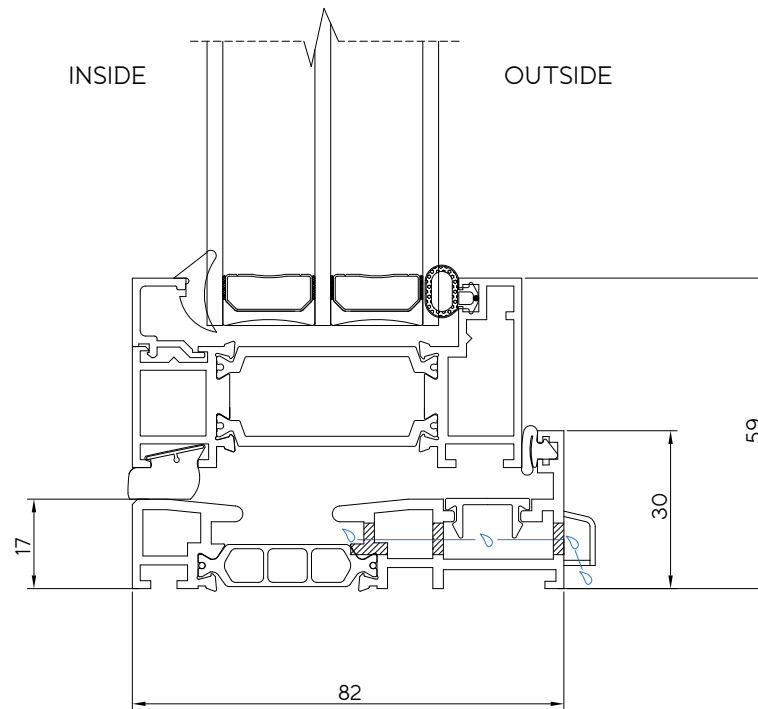
DRAWING #: OB36-10C.1



LOW TRACK FACE DRAINAGE OB-36+

OPEN IN:

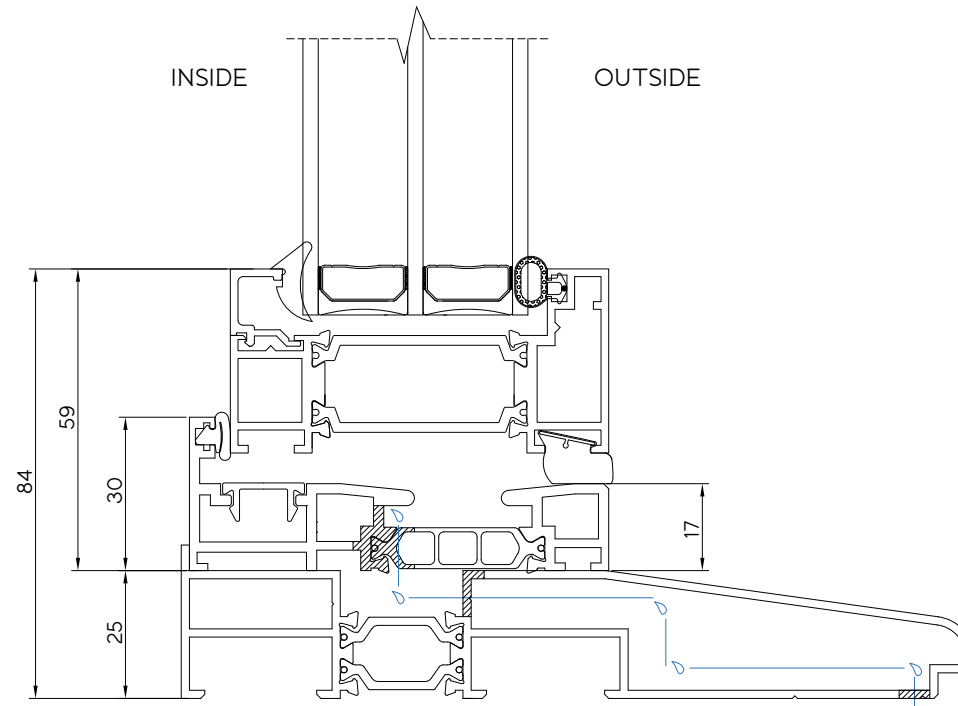
DRAWING #: OB36-10D.1



LOW TRACK CONCEALED DRAINAGE OB-36+

OPEN OUT:

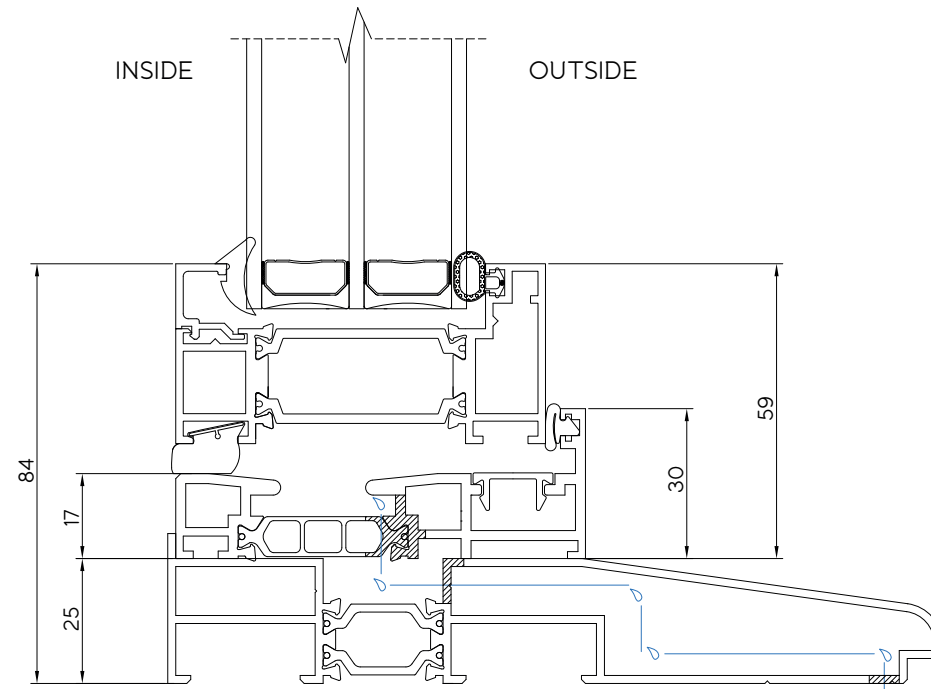
DRAWING #: OB36-10E.1



LOW TRACK CONCEALED DRAINAGE OB-36+

OPEN IN:

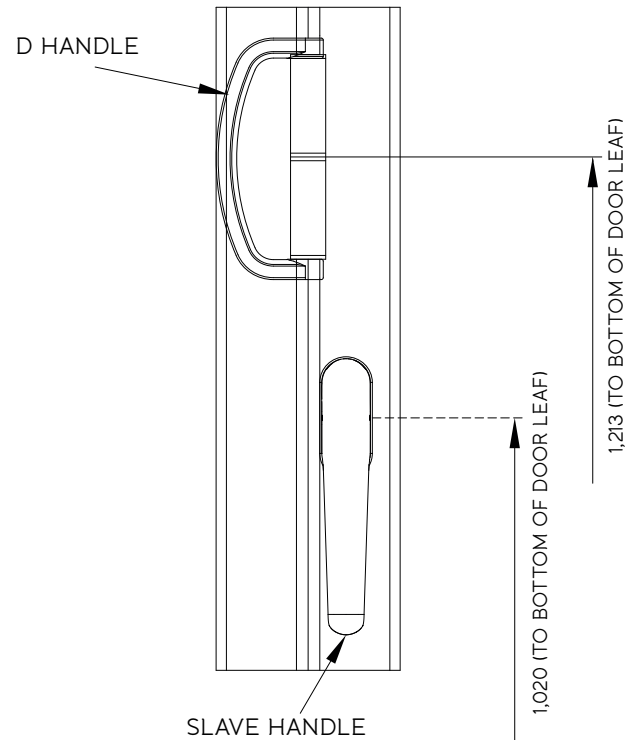
DRAWING #: OB36-10F.1



SLAVE HANDLE

OB-36+

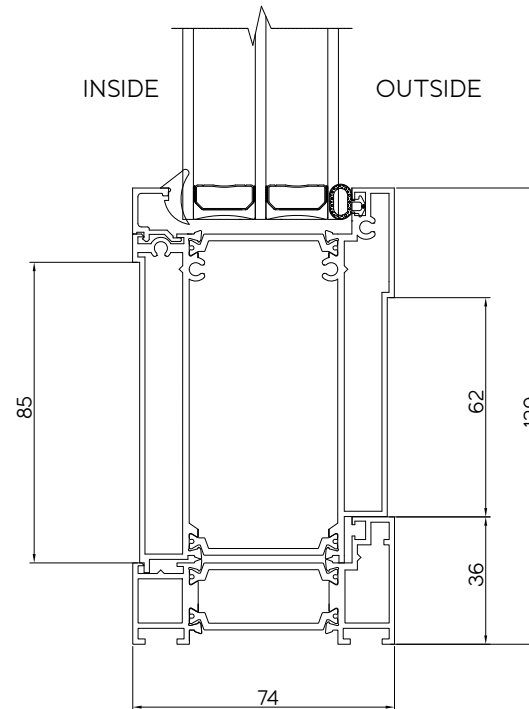
DRAWING #: OB36-11.1



KICKPLATE

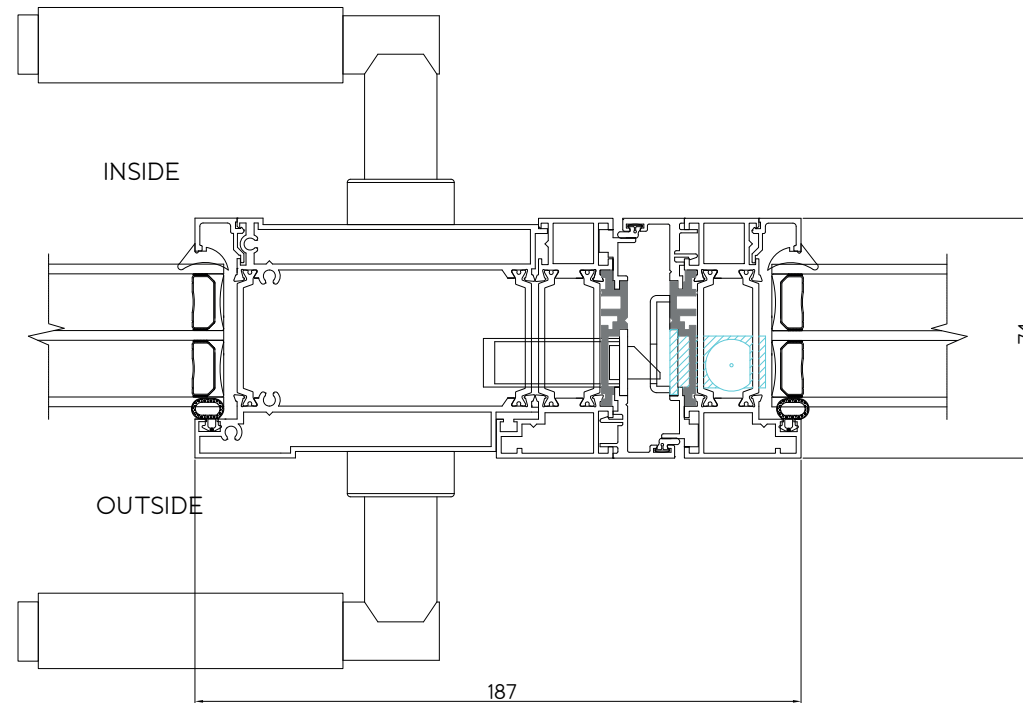
OB-36+

DRAWING #: OB36-12.1



LOCKING SLAVE HANDLE OB-36+

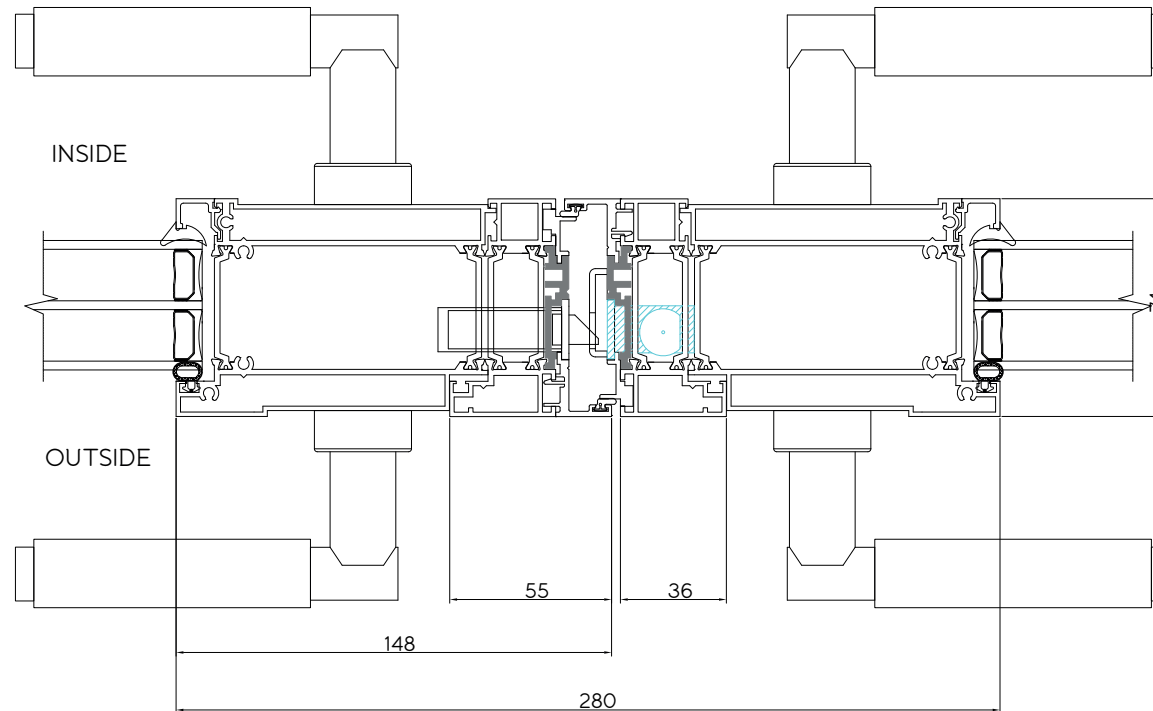
DRAWING #: OB36-13.1



LOCKING SLAVE DUMMY LOCK BLOCK

OB-36+

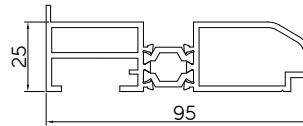
DRAWING #: OB36-14.1



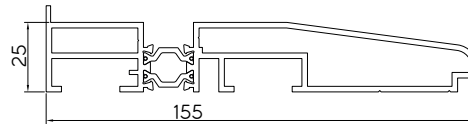
CILLS OB-36+

DRAWING #: OB36-17.1

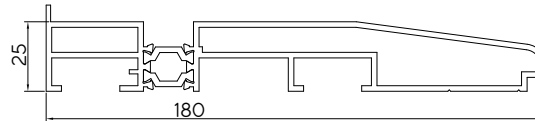
95mm CILL



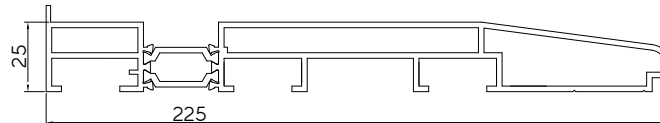
155mm CILL



180mm CILL



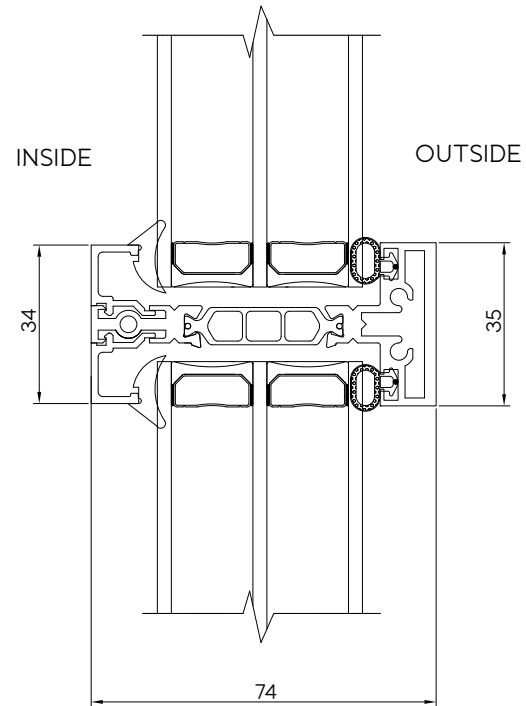
225mm CILL



MIDRAIL GLAZING

OB-36+

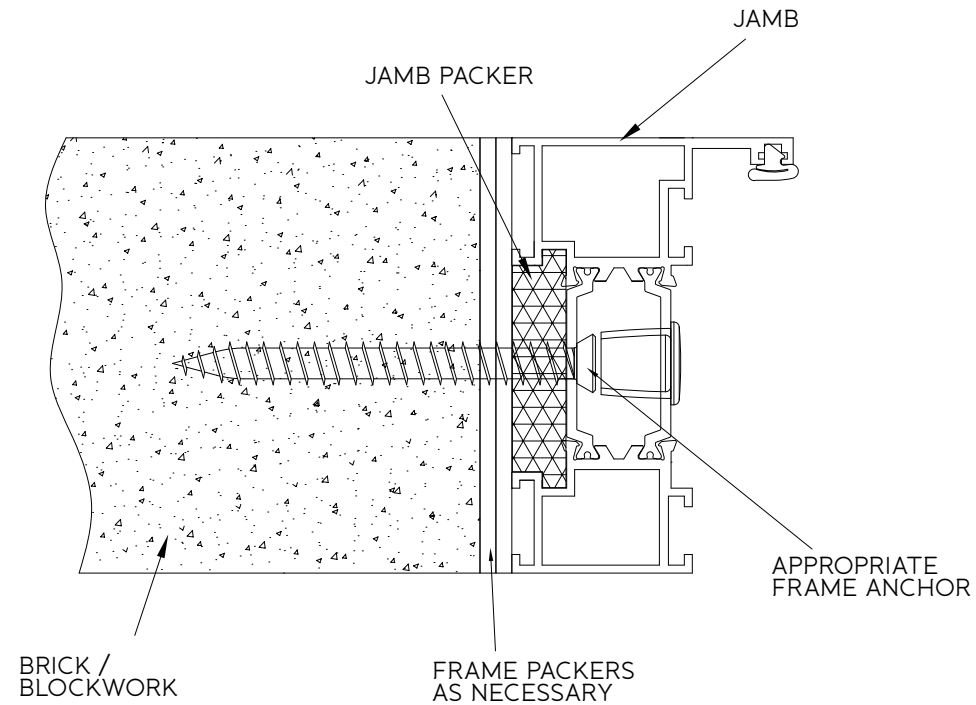
DRAWING #: OB36-18.1



JAMB FIXING

OB-36+

DRAWING #: OB36-19.1



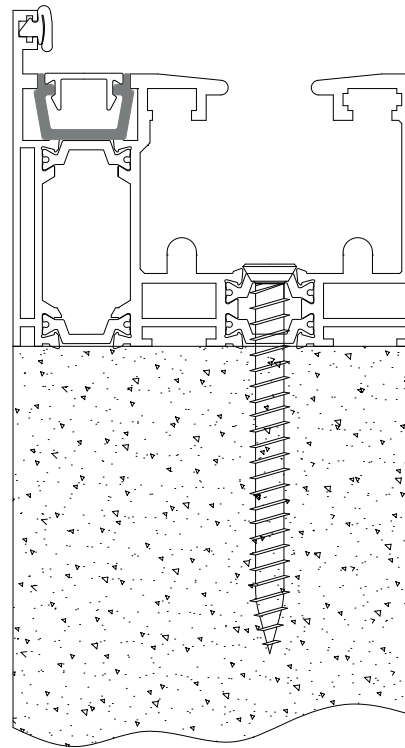
origin

DOORS AND WINDOWS

BOTTOM FIXING

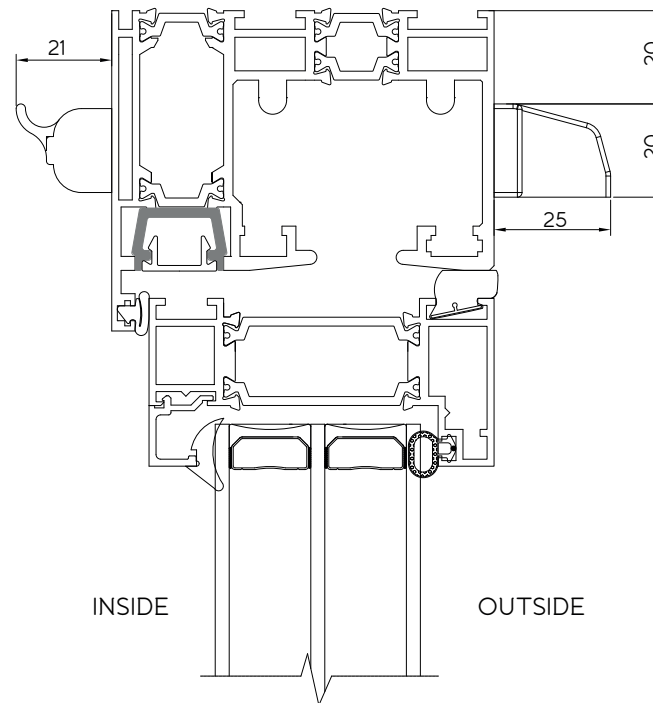
OB-36+

DRAWING #: OB36-20.1



20MM TRICKLE VENT OB-36+

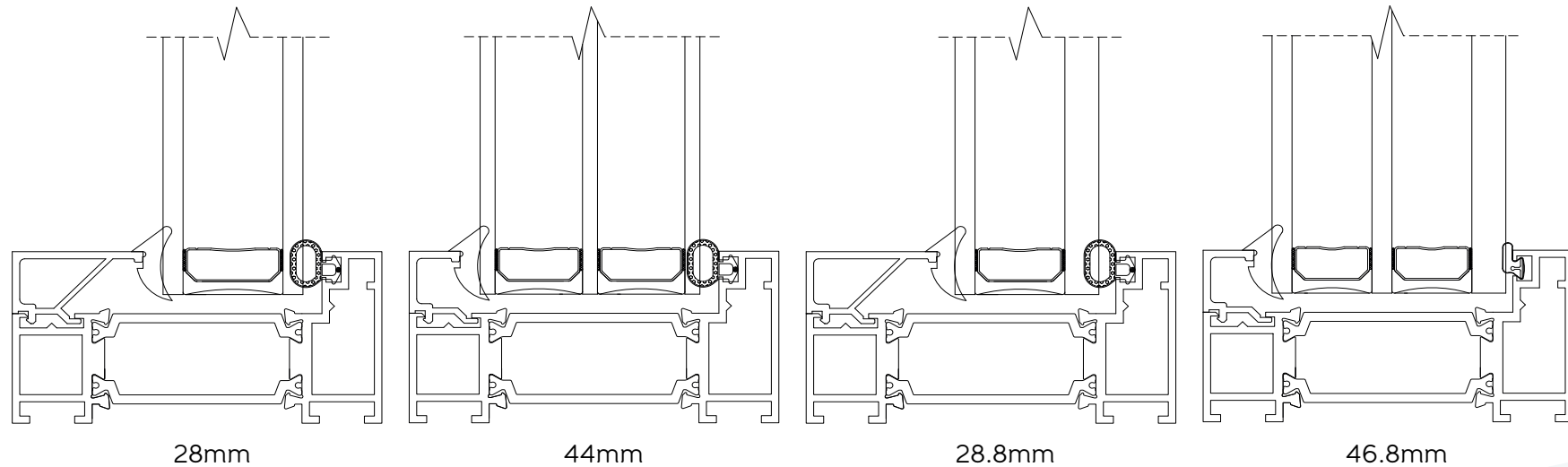
DRAWING #: OB36-21.1



GLAZING OPTIONS

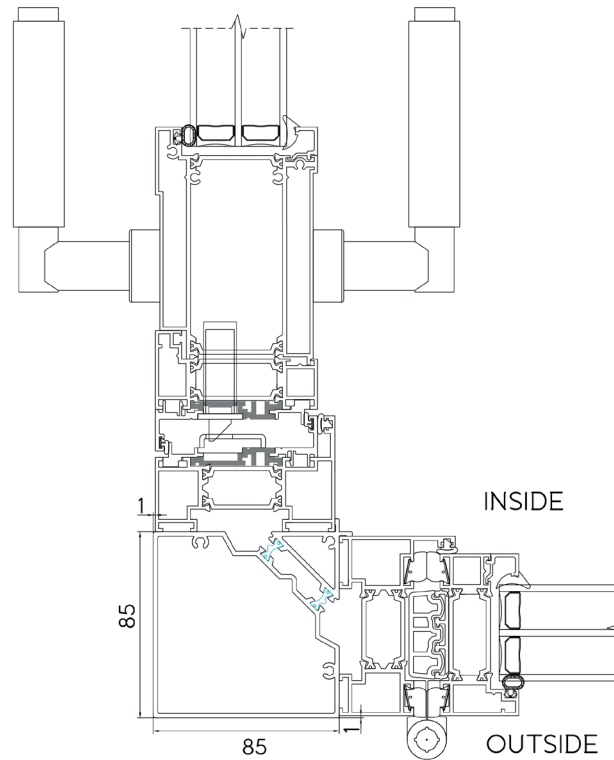
OB-36+

DRAWING #: OB36-22.4



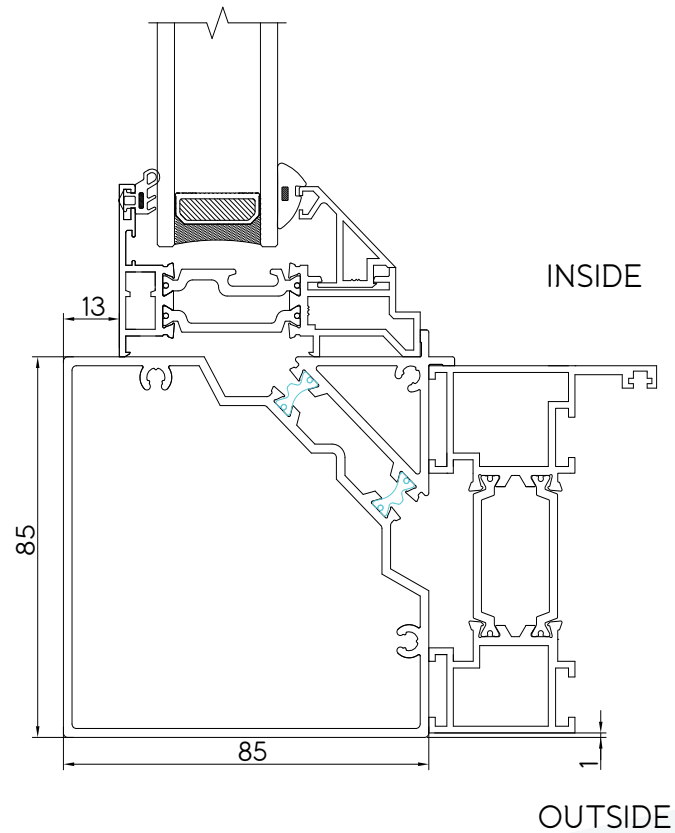
90° FIXED CORNER POST OB-36+

DRAWING #: OB36-25A.1



FIXED CORNER POST OB-36+

DRAWING #: OB36-25B.1



UNIVERSAL COUPLER

OB-36+

DRAWING #: OB36-25B.1

